

SPARE PARTS EXPLODED VIEW GAS WALL BOILERS

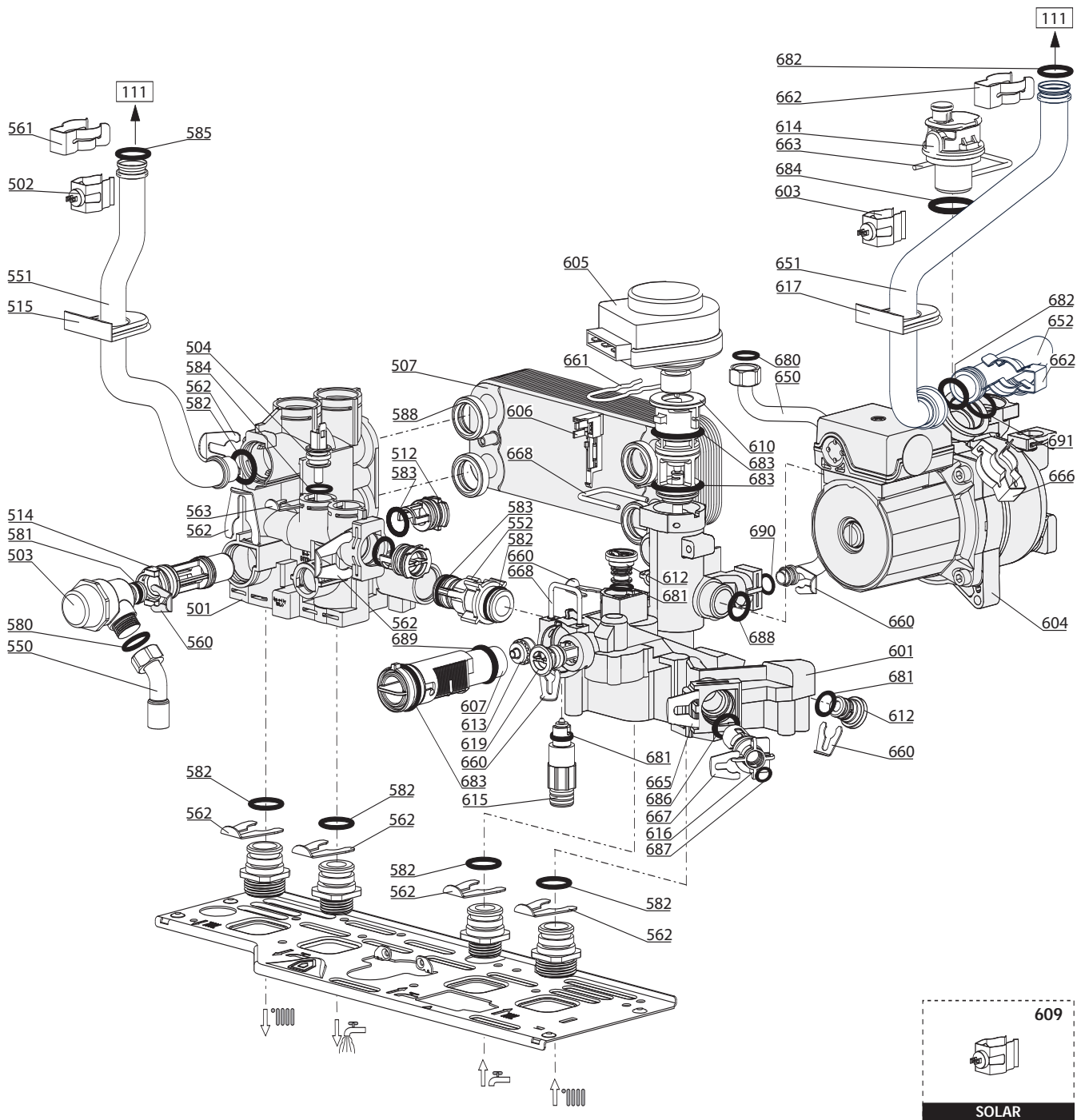
Model

PIGMA - ALIXIA

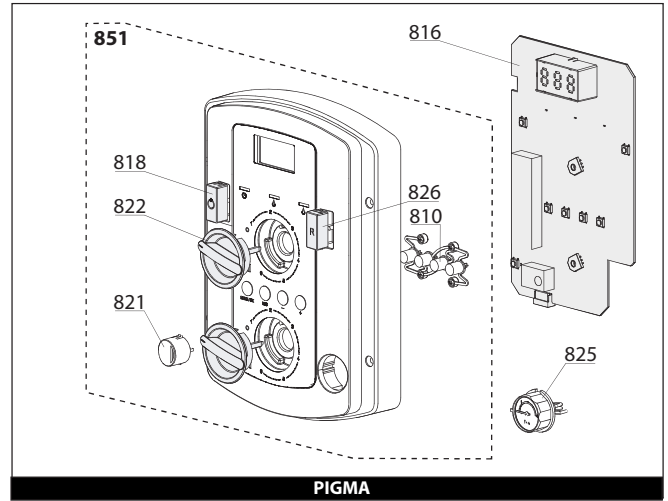
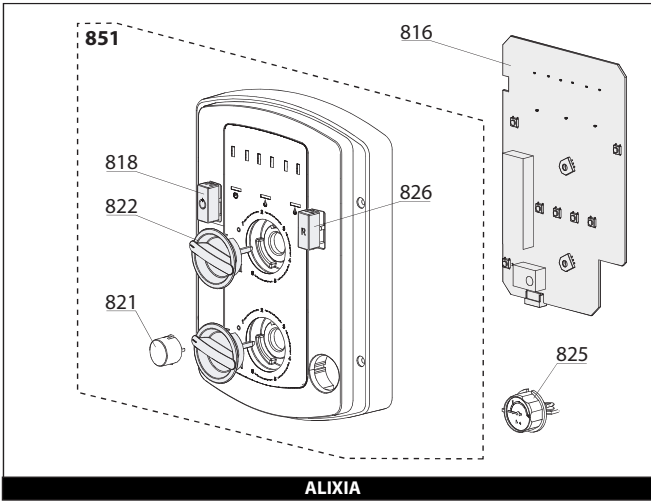
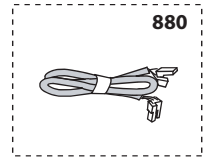
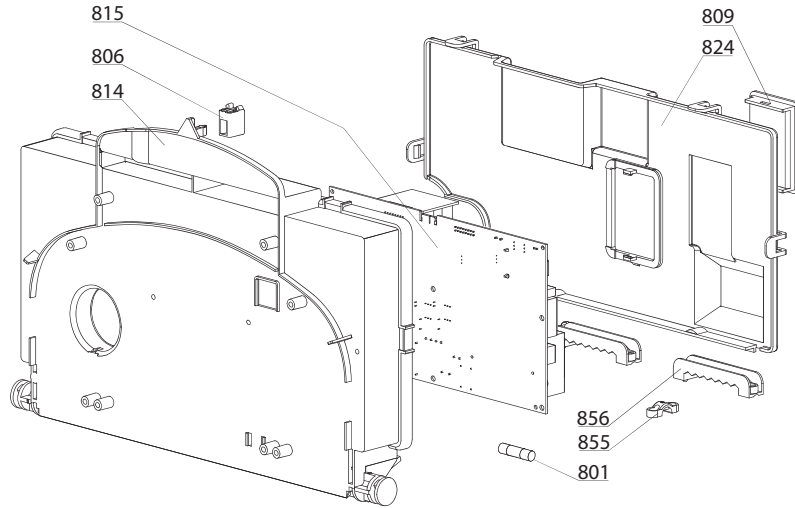
R8203079-03EN - Edition 03 - 17/04/2008

3650263		PIGMA 25 CF N IT-PI
3650264		PIGMA 25 CF B/P IT-PI
3650265		PIGMA 25 FF N IT-PI
3650266		PIGMA 25 FF B/P IT-PI
3650267		PIGMA 30 FF N IT-PI
3650227		ALIXIA 24 CF N PI
3650228		ALIXIA 24 CF B/P IT-PI
3650229		ALIXIA 24 FF N PI
3650230		ALIXIA 24 FF B/P IT-PI
Reference	Ind.	Model type	Begin	End

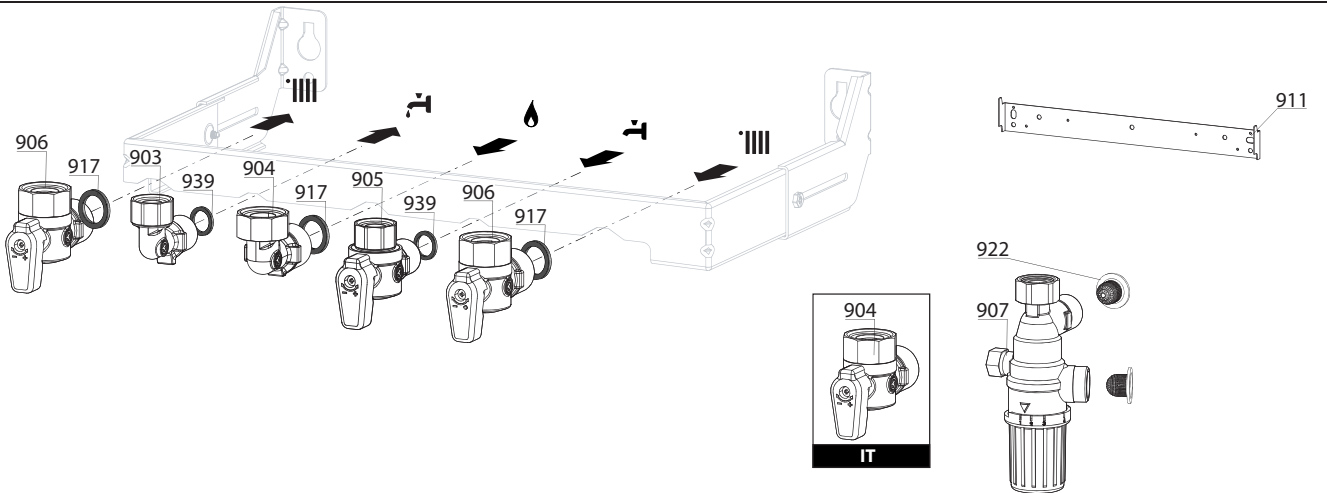
Key N	Description	Manf. Pt. N	Type	PIGMA				ALIXIA				Manf. date		
				CF	FF	CF	FF	CF	FF	CF	FF	from	to	
				25	25	30	24	24						
0100	BURNER ASSEMBLY													
0101	ELECTRODE (IGNITION/DETECTION)	65104549		•	•	•	•	•						
0103	THERMOSTAT	65104500		•	•	•	•							
0110	PANELS (KIT)	65104695			•			•						02/08
	PANELS (KIT)	65106298			•			•					03/08	
	PANELS (KIT)	65104695		•		•	•							
0111	MAIN EXCHANGER	65104246			•			•						02/08
	MAIN EXCHANGER	65106297			•			•					03/08	
	MAIN EXCHANGER	65104246				•								
	MAIN EXCHANGER	65104247		•			•							
0112	BURNER	65104220			•			•						02/08
	BURNER	65106294			•			•					03/08	
	BURNER	65104220		•	•	•								
0113	GAS MANIFOLD	65104223	B/P		•			•						02/08
	GAS MANIFOLD	65106605	B/P		•			•					03/08	
	GAS MANIFOLD	65104223	B/P	•			•							
	GAS MANIFOLD	65104226	NAT			•								
	GAS MANIFOLD	65104302	NAT		•			•						02/08
	GAS MANIFOLD	65106302	NAT		•			•					03/08	
	GAS MANIFOLD	65104302	NAT	•			•							
0160	CLIP	61010050		•	•	•	•	•						
0200	GAS SECTION													
0201	GAS VALVE	65104254		•	•	•	•	•						
0204	SPARK GENERATOR	60000810		•	•	•	•	•						
0214	BASE	60000758		•	•	•	•	•						
0215	BASE	60000757		•	•	•	•	•						
0216	GROMMET	60000624		•	•	•	•	•						
0217	UNION (3/4)	65104326		•	•	•	•	•						
0218	UNION (1/2)	65104327		•	•	•	•	•						
0250	GAS TUBE	60000720		•	•	•	•	•						
0251	SILICONE PIPE	65104296			•	•		•						
0270	GASKET (SPARK GENERATOR)	574279		•	•	•	•	•						
0281	O-RING 22,22X2,62	65104304		•	•	•	•	•						
0283	O-RING 17,17X1,78	65104303		•	•	•	•	•						
0300	FAN ASSEMBLY													
0301	THERMOSTAT 75-65Å°C	999539		•				•						
0302	AIR PRESSURE SWITCH	65104671			•			•						
	AIR PRESSURE SWITCH	65104672				•								
0303	FAN	65104357			•			•						
	FAN	65104452				•								
0310	FLUE (EXHAUST MANIFOLD / HEADER)	65105393			•	•		•						
0311	AIR INTAKE COVER	573329			•	•		•						
0312	FLUE INTAKE PLUG	65104295			•	•		•						
0313	COMBUSTION CHAMBER	65104218		•				•						
0314	COMBUSTION CHAMBER	65104219			•			•						02/08
	COMBUSTION CHAMBER	65106295			•			•					03/08	
	COMBUSTION CHAMBER	65104219				•								
0315	CONDENSATE TRAP	65104623			•	•		•						
0316	PANEL (INSULATION - FAN)	65104305			•	•		•						
0317	SUPPORT (AIR PRESSURE SWITCH)	65104378			•	•		•						
0371	COLLAR GASKET	65104258			•	•		•						
0372	FAN GASKET	65104257			•	•		•						
0373	GASKET	60000317			•	•		•						
0374	CABLE INLET RUBBER WASHER	60000716		•	•	•	•	•						
0400	SEALED CASE													
0401	EXPANSION VESSEL	65104261		•	•	•	•	•						
0410	PANEL (COMBUSTION CHAMBER)	65104240			•			•						02/08
	PANEL (COMBUSTION CHAMBER)	65106296			•			•					03/08	
	PANEL (COMBUSTION CHAMBER)	65104240		•		•	•							
0411	SIGHT GLASS	65104232			•	•		•						
0412	SPRING FRONT PANEL (KIT)	65104298			•	•		•						
0413	AIR RETURN COVER	65104249			•	•		•						
0414	PANEL (FRONT - SEALED CHAMBER)	65105678			•	•		•						
0415	CASE PANEL (L.H. SIDE)	65105676		•	•	•	•	•						
0416	CASE PANEL (R.H. SIDE)	65105677		•	•	•	•	•						
0417	CASE	60000983		•	•	•	•	•						



Key N	Description	Manf. Pt. N	Type	PIGMA				ALIXIA				Manf. date		
				CF	FF	CF	FF	CF	FF	CF	FF	from	to	
				25	25	30	24	24						
0500	FLOW GROUP													
0501	FLOW GROUP	60000844		●	●	●	●	●						
0502	TEMPERATURE PROBE + CLIP	990686		●	●	●	●	●						
0503	PRESSURE RELIEF VALVE	61312668		●	●	●	●	●						
0507	SECONDARY EXCHANGER	65104333		●	●	●	●	●						
0512	PLUG	65104445		●	●	●	●	●						
0513	GROMMET	60000807		●	●	●	●	●						
0514	BY-PASS	65104336		●	●	●	●	●						
0515	GROMMET	60000808		●	●	●	●	●						
0550	PIPE (SAFETY VALVE)	65104447		●	●	●	●	●						
0551	HEATING FLOW TUBE	60000991			●			●					02/08	
	HEATING FLOW TUBE	60001133			●			●			03/08			
	HEATING FLOW TUBE	60000991		●		●		●						
0552	BY-PASS PIPE	65104340		●	●	●	●	●						
0560	CLIP D:10	65104260		●	●	●	●	●						
0561	CLIP	61307589		●	●	●	●	●						
0562	CLIP D=18	65104259		●	●	●	●	●						
0565	CLIP	60000309		●	●	●	●	●						
0580	SHEET GASKET D: 13.9-10.4-1.5	60061853-02		●	●	●	●	●						
0581	O - RING (15.88X2.62)	65104337		●	●	●	●	●						
0582	O-RING D: 17.86-2.62	61308091		●	●	●	●	●						
0583	O - RING (15.54X2.62)	65104325		●	●	●	●	●						
0585	O-RING 3,53X17,04	65104262		●	●	●	●	●						
0588	LIP SEAL	61002249		●	●	●	●	●						
0600	RETURN GROUP													
0601	RETURN GROUP	60000874		●	●	●	●	●						
0603	TEMPERATURE PROBE + CLIP	990686		●	●	●	●	●						
0604	PUMP	60000876				●								
	PUMP	65105039		●	●			●	●					
0605	MOTOR - THREE-WAY VALVE	61302483		●	●	●	●	●						
0606	SENSOR (REED)	65104323		●	●	●	●	●						
0607	3-WAY SPRING KIT (D.H.W.)	60000870		●	●	●	●	●						
0609	TEMPERATURE PROBE + CLIP	65105079		●	●	●	●	●						
0610	3-WAY SPRING KIT (D.H.W.)	65104314		●	●	●	●	●						
0612	PLUG	65104377		●	●	●	●	●						
0613	RIDUCTORS (KIT)	65104318		●	●	●	●	●						
0614	AUTO AIR VENT WITH O-RING	65104703		●	●	●	●	●						
0615	DRAIN COCK	65104328		●	●	●	●	●						
0616	WATER FILTER	65104711		●	●	●	●	●						
0617	GROMMET	60000807		●	●	●	●	●						
0619	PLUG	65104377		●	●	●	●	●						
0650	PIPE (EXPANSION VESSEL)	60000718		●	●	●	●	●						
0651	HEATING RETURN TUBE	60000723			●			●					02/08	
	HEATING RETURN TUBE	60000723		●		●		●			03/08			
	HEATING RETURN TUBE	60001132			●			●						
0652	HEATING RETURN TUBE	60000992		●	●	●	●	●						
0660	CLIP D:10	65104260		●	●	●	●	●						
0661	CLIP	65104332		●	●	●	●	●						
0662	CLIP	61307589		●	●	●	●	●						
0663	U-CLIP	65104704		●	●	●	●	●						
0665	CLIP	65104331		●	●	●	●	●						
0666	CLIP	60000309		●	●	●	●	●						
0667	CLIP	65100680		●	●	●	●	●						
0668	CLIP	65104316		●	●	●	●	●						
0680	GASKET 3/8	573521		●	●	●	●	●						
0681	O - RING (9.19X2.62)	65104313		●	●	●	●	●						
0682	O-RING 3,53X17,04	65104262		●	●	●	●	●						
0683	O - RING (23.47X2.62)	65104315		●	●	●	●	●						
0684	O-RING	65104705		●	●	●	●	●						
0686	O - RING (15.54X2.62)	65104325		●	●	●	●	●						
0687	O RING D: 5.7-1.9	61009834-10		●	●	●	●	●						
0688	O - RING (21.89X2.62)	65104320		●	●	●	●	●						
0689	O-RING 17,17X1,78	65104303		●	●	●	●	●						
0690	O-RING D: 8.9-2.7	61009834-14		●	●	●	●	●						
0691	O-RING D: 17.86-2.62	61308091		●	●	●	●	●						



900



5000

5001
 Transf. gaz > GPL
 Conv. gas > GPL
 Trasn. gas > GPL
 Transf. gas > GPL

5002
 Transf. gaz > Nat
 Conv. gas > Nat
 Trasn. gas > Met
 Transf. gas > Met

5020
 Options
 Accessories
 Opzioni
 Accessorio

Key N	Description	Manf. Pt. N	Type	PIGMA				ALIXIA		Manf. date	
				CF	FF	CF	FF			from	to
				25	25	30	24	24			
0800	ELECTRICAL BOX										
0801	FUSE 250V 2A - TEMPORIZED	61003456		●	●	●	●	●			
0806	PUSH	65104228		●	●	●	●	●			
0809	INSPECTION COVER	65104294		●	●	●	●	●			
0810	PUSH BUTTON	60000764		●	●	●	●	●			
0814	CONTROL PANEL	65104300		●	●	●	●	●			
0815	PRINTED CIRCUIT BOARD P.C.B. (MAIN)	60000871 65105818		●	●	●	●	●			
0816	PRINTED CIRCUIT BOARD PRINTED CIRCUIT BOARD	60000817 60001125		●	●	●	●	●			
0818	PUSH BUTTON ON/OFF	60000836		●	●	●	●	●			
0821	PUSH BUTTON	60000835		●	●	●	●	●			
0822	HOLE PLATE KNOB	60001004 60001003		●	●	●	●	●			
0824	CONTROL PANEL COVER (REAR)	65104293		●	●	●	●	●			
0825	PRESSURE GAUGE	60000725		●	●	●	●	●			
0826	BUTTON (RESET)	60000806		●	●	●	●	●			
0851	FRONT CONTROL PANEL COMPLETE FRONT CONTROL PANEL COMPLETE	60000833 60001002		●	●	●	●	●			
0855	CABLE CLAMP	571562		●	●	●	●	●			
0856	CABLE CLAMP	65103377		●	●	●	●	●			
0880	EARTH WIRE	65104286		●	●	●	●	●			
	DISPLAY WIRING	60000746	/ CN02	●	●	●	●	●			
	HEAT SENSOR CABLE	65104517	/ CN04	●	●	●	●	●			
	IONIZATION ELECTRODE CABLE	65104518	/ CN05	●	●	●	●	●			
	THREE WAY VALVE CABLE	65104523	/ CN09	●	●	●	●	●			
	FAN CABLE	65104519	/ CN10	●	●	●	●	●			
	PUMP CABLE	65105081	/ CN10	●	●	●	●	●			
	SENSOR PRESSURE CABLE	60000813	/ CN14	●	●	●	●	●			
	SOLAR SENSOR CABLE	60001001	/ CN17	●	●	●	●	●			
	FEEDER	60000993	/ CN20	●	●	●	●	●			
	OVERHEAT THERMOSTAT CABLE	60000814	/ CN22	●	●	●	●	●			
	OVERHEAT THERMOSTAT CABLE	65104708	/ CN22	●	●	●	●	●			
	ROOM THERMOSTAT CABLE	60000988	/ CN25	●	●	●	●	●			
0900	JIG PLATE & PIPE FITTING										
0903	HOT WATER CONNECTION	60000891		●	●	●	●	●			
0904	UNION	65105631	ES-PT	●	●	●	●	●			
	GAS SERVICE TAP	60000898	IT	●	●	●	●	●			
0905	COLD WATER TAP	60000895		●	●	●	●	●			
0906	WATER FLOW & RETURN SERVI. TAP	60000885		●	●	●	●	●			
0907	THERMOSTATIC MIXING VALVE	60001081		●	●	●	●	●			
0911	WALL HOOK	60000625		●	●	●	●	●			
0917	SHEET GASKET D: 24-17-1.5	60061855-19		●	●	●	●	●			
0922	FILTER	60001087		●	●	●	●	●			
0939	SHEET GASKET D: 16.5-11-1.5	60061854-14		●	●	●	●	●			
5000	ACCESSORIES										
5001	BURNER JET FULL KIT (LPG)	65104582		●	●	●	●	●			
	BURNER JET FULL KIT (LPG)	65106690		●	●	●	●	●			
5002	BURNER JET FULL KIT (NG) FR	65104585		●	●	●	●	●			
	BURNER JET FULL KIT (NG) FR	65106692		●	●	●	●	●			
5020	ROD PLATE	60000999		●	●	●	●	●			

LIST OF THE ABBREVIATIONS

HW	: Hot water.
CW	: Cold water.
C	: Ceramic resistance (normal heating).
Ca	: Ceramic resistance (accelerated heating)
TP	: Immersion heater.
1F	: With fittings.
2F	: Without fittings.
3F	: With fittings and another outlet connection.
AMI	: With mixing valve.
SMI	: Without mixing valve.
PUISS	: Power of th appliance.
PN	: Appliance with normal pression.
LP	: Appliance with low pression.
PV	: Appliance with variable power.
PF	: Appliance with fixed power..

IDENTIFICATION PLATE

NUMERO DI SERIE (a 10/96)

Es: 065004 01 95

Anno di fabbricazione
Mese di fabbricazione : da 1 a 12 → Gennaio a Dicembre
Codice sequenziale

NUMERO DI SERIE (da 11/96)

Es: 01 95 065004

Codice sequenziale
Anno di fabbricazione
Mese di fabbricazione : da 1 a 12 → Gennaio a Dicembre

The indications mentioned on the prices, commercial or technical literature and the scheme are written for your guidance and are available at a given time. The CONSTRUCTOR retains the power to modify the presentation, the form, the size, the conception or the material of the products.